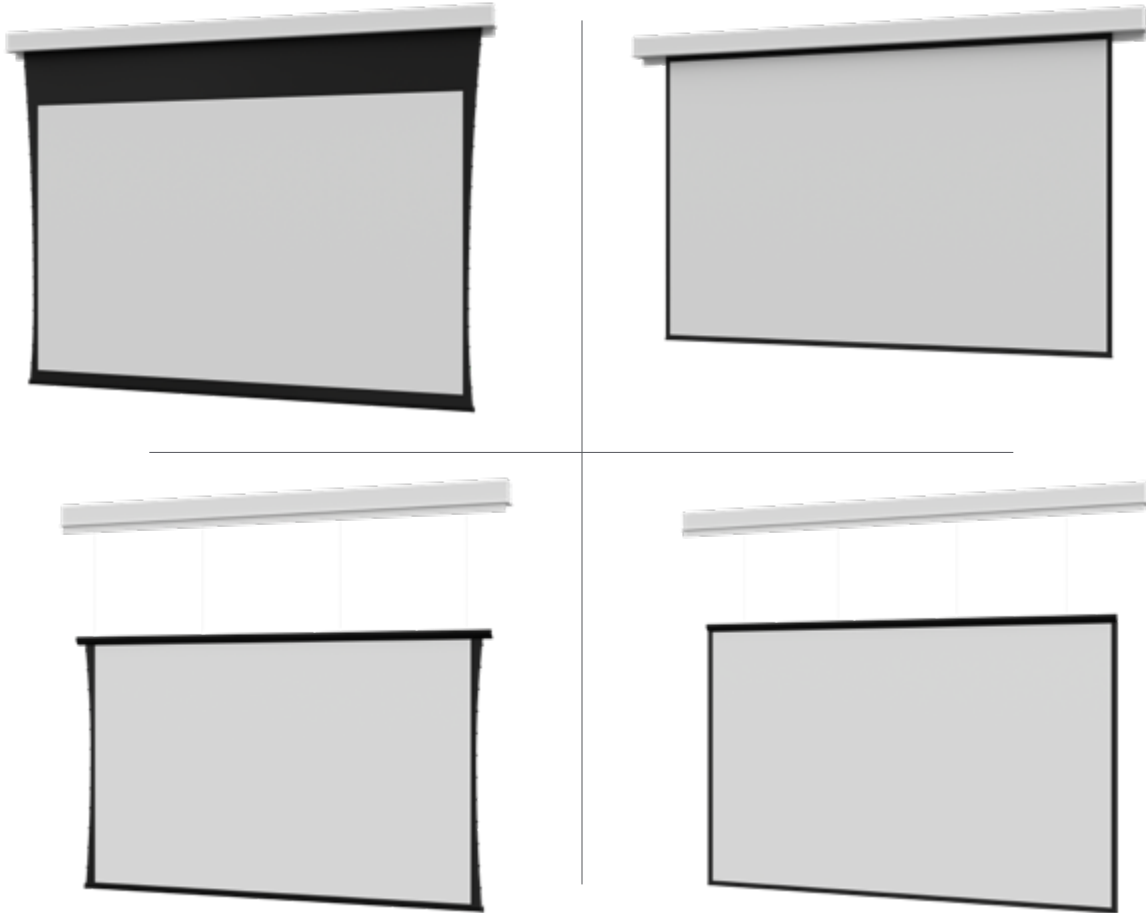


DA-LITE

A brand of **legrand**



Myriad™ Conceal

(tensioned and non-tensioned, with and without SightLine)

USER MANUAL

240375 Rev A

ORIGINAL INSTRUCTIONS

DISCLAIMER

Legrand AV Inc. and its affiliated companies and subsidiaries (collectively, "Legrand AV"), intend to make this manual accurate and complete. However, Legrand AV makes no claim that the information contained herein covers all details, conditions or variations, nor does it provide for every possible contingency in connection with the installation or use of the products described herein. The content herein is subject to change without notice or obligation of any kind. To the maximum extent permitted by applicable law, Legrand AV makes no representation or warranty, expressed or implied, regarding the information contained herein. Furthermore, Legrand AV assumes no responsibility for accuracy, completeness or sufficiency of the information contained in this document.

Da-Lite® is a registered trademark of Legrand AV. All rights reserved.

IMPORTANT SAFETY INSTRUCTIONS

When using your video equipment, basic safety precautions should always be followed, including the following:

1. Read and understand all instructions before using.
2. To reduce the risk of electric shock, do not disassemble this appliance. Contact an authorized service dealer when repair work is required. Incorrect reassembly can cause electric shock when the appliance is used subsequently.
3. The use of an accessory attachment not recommended by the manufacturer may cause a risk of fire, electric shock, or injury to persons.
4. Failure to provide adequate structural strength for this component can result in serious personal injury or damage to equipment! It is the installer's responsibility to make sure the structure to which this component is attached can support the weight of all equipment. Reinforce the structure as required before installing the component.
5. Use this projection screen only for its intended use as described in these instructions. Do not use attachments not recommended by the manufacturer.

Save These Instructions

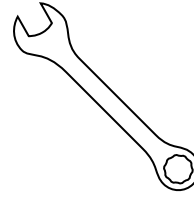
PRE-INSTALLATION

1. Carefully unpack case and remove from shipping carton.
2. Recheck measurements of screen location before installation.

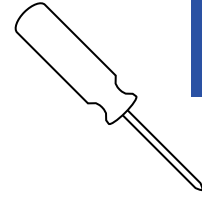
Installation and calibration of the unit should only be performed by an authorized, qualified, and experienced professional. In particular, electrical work and wiring must be completed only by a qualified professional electrician who has read this manual completely and is familiar with the construction and operation of this equipment and the hazards involved.

PLEASE NOTE: Projection Screen must be installed in accordance with the requirements of the Local Building Codes, the Canadian Electrical Code (CEC), CAN/CSA C22.1 and the National Electric Code (NEC), NFPA 70. An appropriate disconnect device shall be provided as part of the building installation. Connections must be made in accordance with attached wiring diagram, and wiring must comply with national and local electrical codes. All operating switches should be "off" before power is connected.

REQUIRED TOOLS



M13 open wrench or socket driver



#2 Phillips Screwdriver

DA-LITE
A brand of Legrand

INSTALLATION

1. Attach brackets to ceiling. Ensure case is level.

NOTE: All 3 mounting brackets must be used for wall or ceiling mount. It is recommended to place the center bracket +/- 12" [305 MM] from the center of the case and remaining brackets within 36" [915 MM] of the ends of the case.

2. Tighten bolts until trim flange is flush with ceiling.

NOTE: For proper operation, case must be levelled side to side and front to back.

If your screen was shipped with the motor and roller already installed, proceed to step 13 of the Screen and Roller Assembly section.

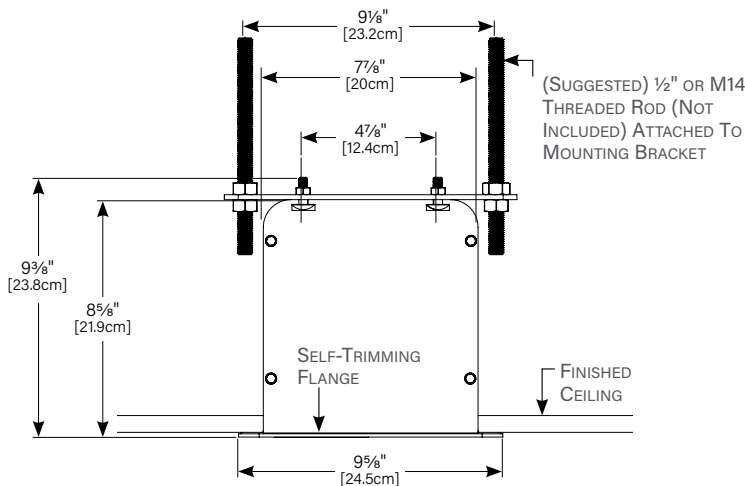


Figure 1

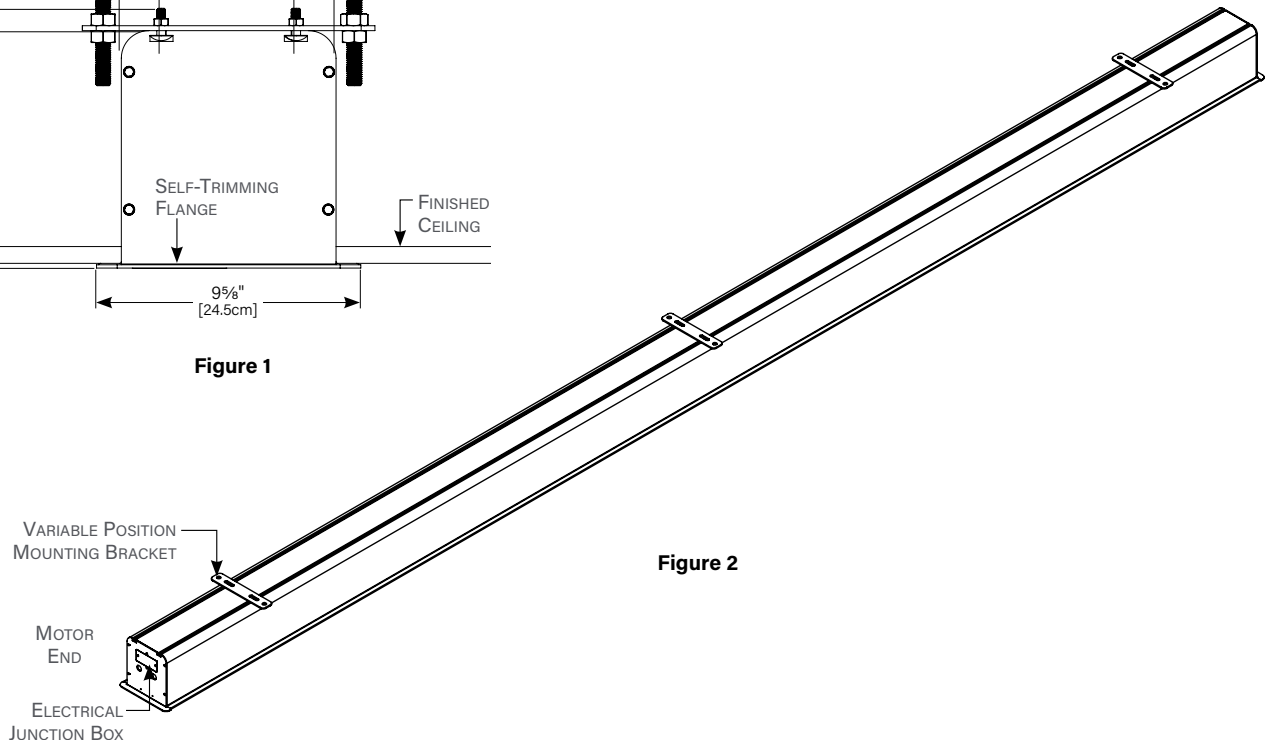


Figure 2

SCREEN AND ROLLER ASSEMBLY INSTALLATION

Tools required for screen and roller assembly:



Follow these steps if your screen and roller assembly was ordered separately from the case. If your screen was shipped with the motor and roller already installed proceed to step 13.

1. Open fabric door (Figure 3).

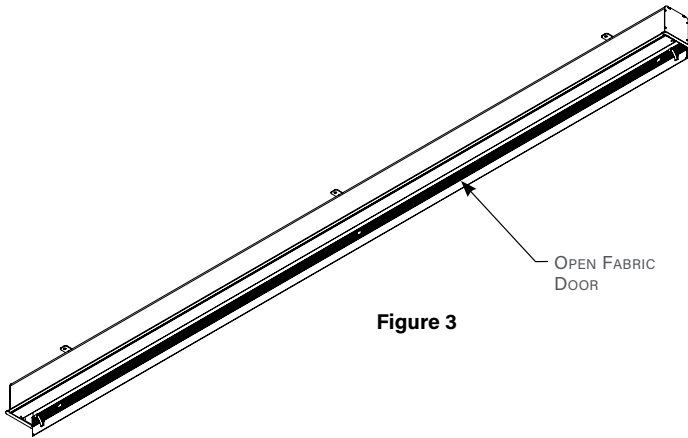


Figure 3

2. Remove the (2) hooks at each end of the fabric door using a #2 Phillips screwdriver (Figure 4).

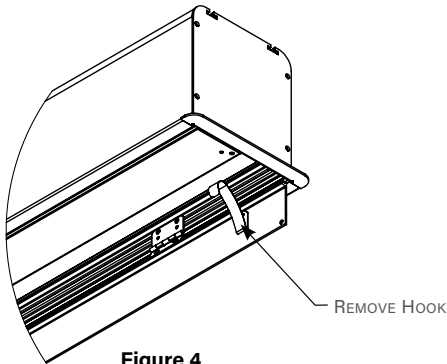


Figure 4

3. Remove the access door. First, remove the 2 screws from the ends using a #2 Phillips screwdriver (Figure 5). Be sure to support the door during this step to avoid injury. Then lift the door slightly and pull away from the edge of the case (Figure 6).

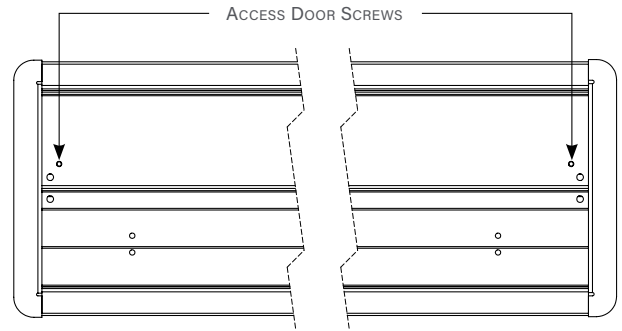


Figure 5

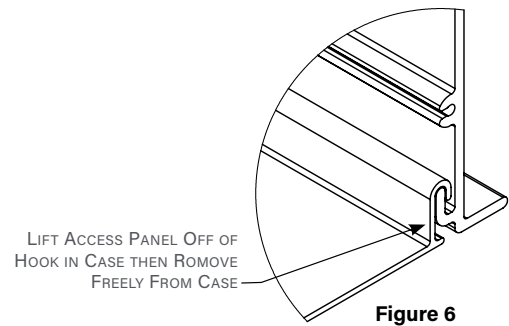


Figure 6

4. Carefully unpack screen and roller assembly. Leave packing paper on the roller.
5. Loosen and remove one screw of motor mount bracket (Figure 7).

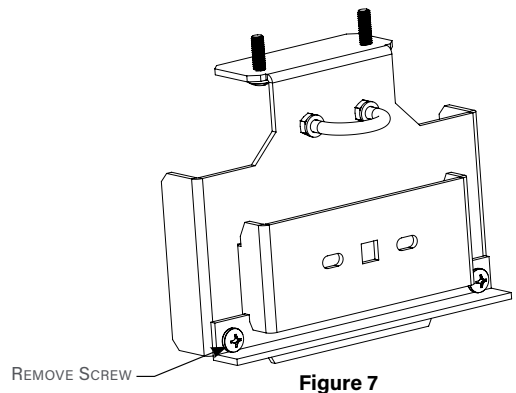
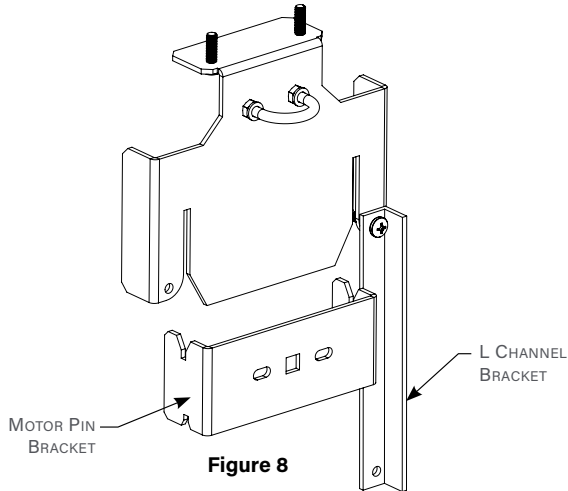


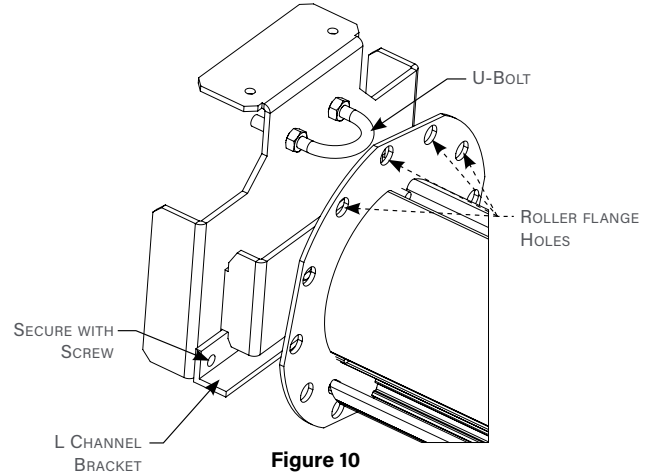
Figure 7

SCREEN AND ROLLER ASSEMBLY INSTALLATION (CONTINUED)

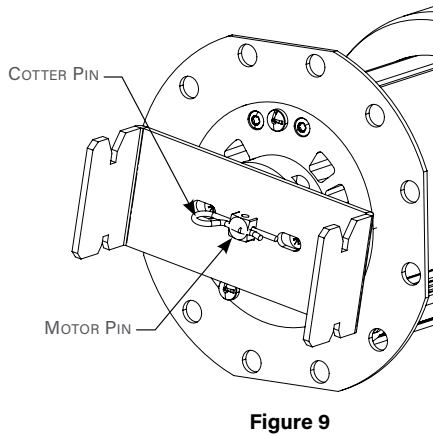
6. Rotate the L channel bracket is out of the way and slide the motor pin bracket out of case (Figure 8).



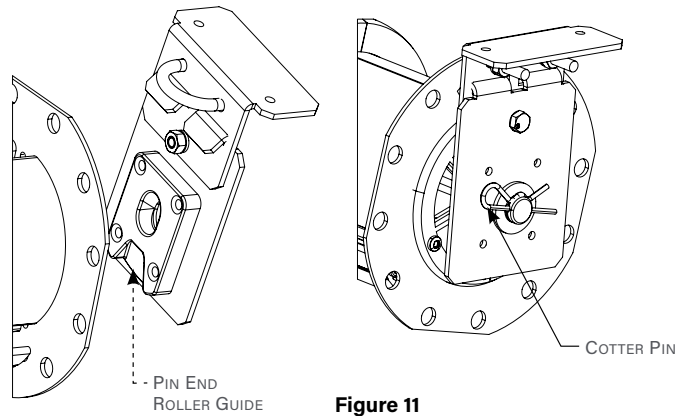
10. Rotate motor mount bracket back into position and secure with screw (Figure 10).



7. Slide motor pin through square hole and secure with a cotter pin (Figure 9).



11. Slide pin end of roller up guide and into bracket. Secure with cotter pin (Figure 11).



8. Connect safety cables to roller flange holes on both ends of roller assembly. Loop cable through U-bolt connection point. Connect safety cables back to roller flange. Repeat on opposite end of the roller (Figure 10).

NOTE: You may have to lift screen assembly to height where the safety cable can reach both the assembly and the U-bolt in case

9. Slide motor pin bracket back into position (Figure 10).

12. Once both ends of the roller are secured, remove safety cables.
13. Complete electrical hook-up by snapping motor wire connector and RJ-45 data connector into case connector (see wiring diagram).
14. Test installation by running screen up and down a few times. Be prepared to stop screen should any objects obstruct the movement of the screen.
15. Re-install the access door and fabric door hooks. Procedure is the reverse of steps 1-3.

WIRING IN END CAP

1. Remove two screws to access junction box on end of case to access electrical connections. Refer to wiring diagram for electrical connections.
2. Knockout chosen location for wiring.
3. Power cable is connected to junction box. Run wires out of knockout to power connection.
4. Plug Cat5e cable into RJ-45 connector (picture).
5. Connect Cat5e included cable to wall switch.

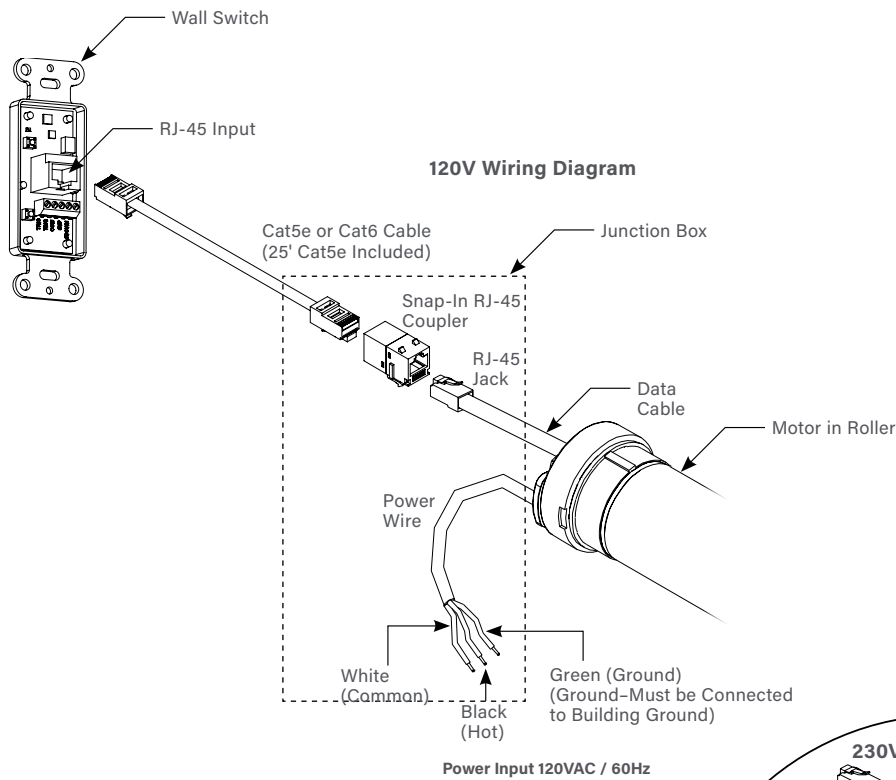
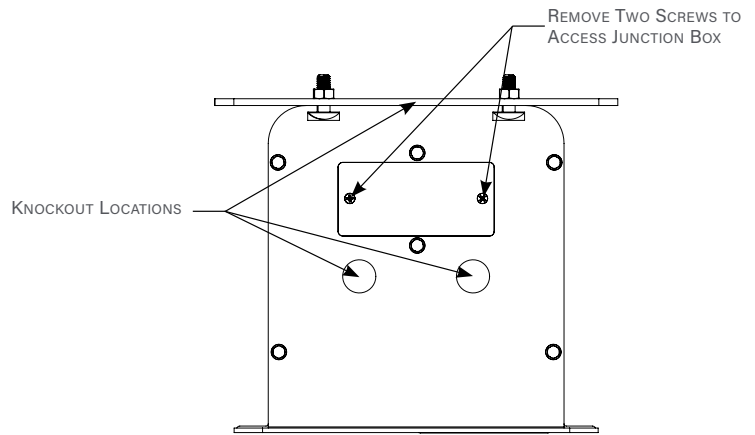


Figure 11

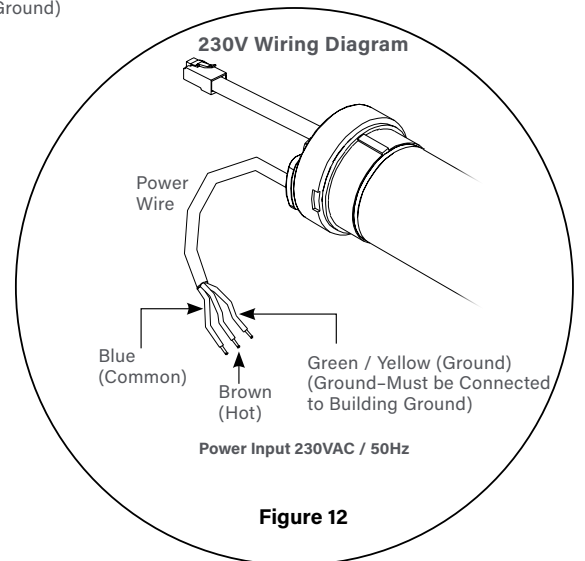


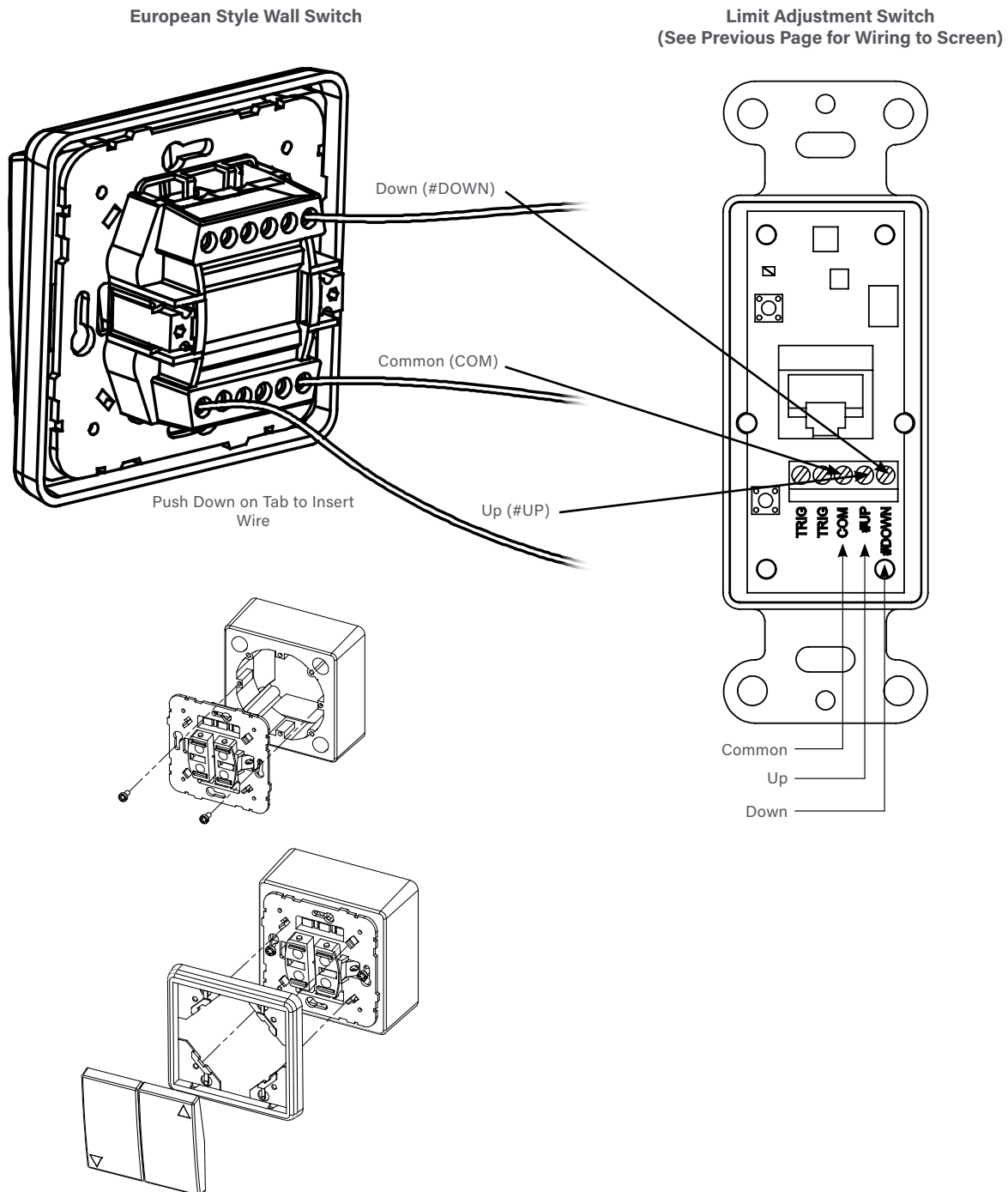
Figure 12

ALTERNATE WALL SWITCH FOR FOR 230V SCREENS

230V Wiring Diagram with Optional European Style Wall Switch

Use 3-conductor 20-24 gauge wire to connect European style wall switch to the COM, #UP, and #DOWN to the limit adjustment wall switch

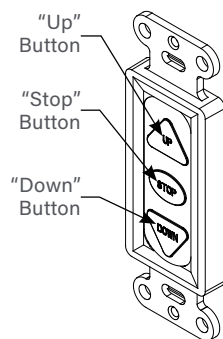
IMPORTANT NOTE: The European style wall switch is for operation only and CANNOT be used to make limit switch adjustments. Therefore, it is advised to locate the limit adjustment wall switch in an accessible location.



OPERATION OF SCREEN

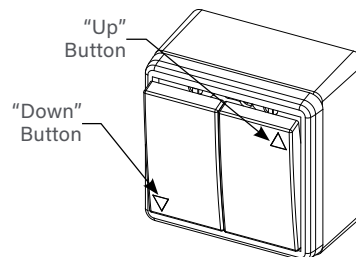
Operation & Limit Adjustment Wall Switch

1. Press "DOWN" button on screen switch and screen will deploy out of case in downward direction.
2. Press "STOP" button on screen switch and screen will stop if in movement.
3. Press "UP" button on screen switch and screen will retract upward into case.



European Style Wall Switch (230V models only)

1. Press "DOWN" button on screen switch and screen will deploy out of case in downward direction.
2. Press "UP" button on screen switch and screen will retract upward into case.



THIRD PARTY CONTROL

Control Panel

A control panel may be connected to the wall switch by using the dry contact Up, Down and Common connections. The control panel must provide a momentary, dry contact closure of at least 1/2 second.

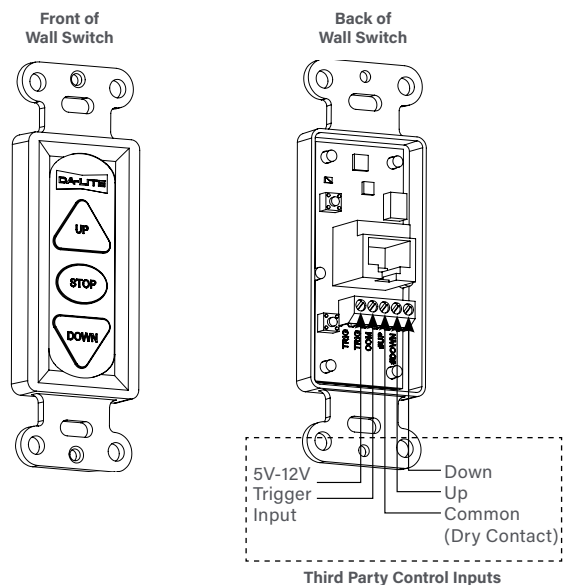
1. Use 3-conductor 20-24 gauge wire to connect the control panel to the Screen Controller.
2. A momentary closure across the COM and #UP inputs will be an "up" command.
3. A momentary closure across the COM and #DN inputs will be a "down" command.
4. A momentary closure across the COM, #UP and #DN inputs will be a "stop" command.

Projector Trigger

When a 5-12V signal is received from a projector trigger output (or trigger output from any other device) the screen will move to the down position. When voltage is removed the screen will run to the up position.

Use 2-conductor 18-24 gauge wire to extend the low voltage connection from the 5 to 12-volt trigger output to the TRIG input on the wall switch.

NOTE: When extending the low voltage connection from the trigger output polarity does not matter. The wires are interchangeable.



SCREEN ADJUSTMENT

If general adjustment is needed, please follow the steps below and refer to the Wiring Diagram.

1. Locate the wall switch and remove the cover plate from the wall switch and remove the switch from the junction box.
2. Locate the two tactile buttons on the back of the switch. They are black round buttons on silver plates.
3. To adjust the down limit switch, press and hold the down tactile button until the LED on the back of the switch turns solid red. This will put the motor in limit set mode. Turn the wall switch over and use the down button on the front of the switch. Press and hold the down button until the desired down position is reached. If you travel too far down, press the up button to move the screen upward. If you press and let go of either the up or down buttons, the motor will do a small jog in that direction for fine adjustment of the screen. Once the desired position is reached, turn the switch over; press and hold the down tactile button until the LED on back of switch blinks red twice. The down limit is now set.

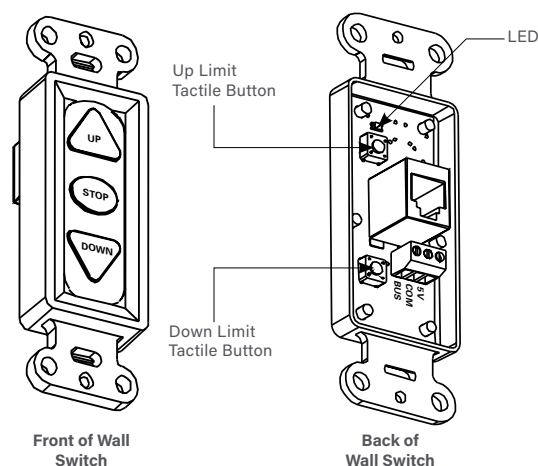
NOTE: If the screen is in limit set mode and no buttons are pushed for 2 minutes, the LED on the back of the wall switch will turn off, the motor will return to run mode and no changes will be saved. If this occurs, return to step 3 for down limit adjustment or step 4 for up limit adjustment.

4. To adjust the up limit switch, press and hold the up tactile button until the LED on the back of the switch turns solid green. This will put the motor in limit set mode. Turn the wall switch over and use the up button on the front of the switch. Press and hold the up button until the desired up position is reached. If you travel too far up, press the down button to move the screen downward. If you press and let go of either the up or

down buttons, the motor will do a small jog in that direction for fine adjustment of the screen. Once the desired position is reached, turn the switch over; press and hold the up tactile button until the LED on back of switch blinks green twice. The up limit is now set.

5. To test the limit switch settings, press and release the up or down buttons on the switch to operate the screen.
6. Replace the switch and cover plate on the wall.

IMPORTANT NOTE: The wall switch is REQUIRED to make any limit switch adjustments, even if a third party control system is used.



TENSIONED AND NON-TENSIONED MODELS

- ⚠ **CAUTION:** Do not adjust for more drop than what was ordered. At least 1-1/2 wraps of fabric must remain on the roller.
- ⚠ **ATTENTION!** N'effectuez pas de réglage pour obtenir un déroulement supérieur à celui commandé. Au moins 1 à 1/2 tour de toile doit être maintenu sur le cylindre.

SIGHTLINE MODELS (TENSIONED AND NON-TENSIONED)

- ⚠ **CAUTION:** Do not adjust for more than 16' of wire drop. At least 2 wraps of wire must remain on the roller. This screen comes standard with 0" to 16' of wire drop. See the specification data sheet for details.
- ⚠ **ATTENTION!** LA LONGUEUR DE LA CHUTE DE CÂBLE NE DOIT PAS DÉPASSER 488 CM (192 PO). AU MOINS DEUX ENROULEMENTS DE CÂBLE DOIVENT DEMEURER SUR LE ROULEAU. CET ÉCRAN EST LIVRÉ DE SÉRIE AVEC UNE CHUTE DE CÂBLE DE 0 CM/PO À 488 CM (192 PO). CONSULTEZ LA FICHE TECHNIQUE POUR PLUS DE RENSEIGNEMENTS.

TENSIONED MODELS

- ⚠ **CAUTION:** Adjusting the down limit switch for less drop by more than 6" can cause the screen surface to lose proper tensioning.
- ⚠ **ATTENTION!** LE FAIT D'AJOUTER NE DÉROULEZ PAS TROP L'ÉCRAN PLUS DE 15 CM (6PO) AUX INTERRUPTEURS DE FIN DE COURSE PEUT FAIRE PERDRE LA BONNE TENSION À LA SURFACE DE L'ÉCRAN.

NON-TENSIONED AND SIGHTLINE (TENSIONED AND NON-TENSIONED) MODELS

No restrictions on adjusting for less drop.

TROUBLESHOOTING

SYMPTOM	CAUSE	SOLUTION
Screen will not operate and motor does not hum.	Incorrect line voltage.	Verify 115-125V (or 220-240V). If insufficient voltage, rewire incoming electric line.
	Blown fuse.	Replace fuse.
	Tripped circuit breaker.	Reset circuit breaker.
	No power to operating switch or junction.	Check above. Tighten all loose wire connections. Correct any improper connections. Down Position Check for power across black and white leads. Up Position Check for power across red and white leads.
Screen will not operate and motor does not hum. Power at junction box.	Thermal overload tripped.	Let motor cool down for 15 minutes. Try again.
	Broken wire in the "down" or "up" position.	Check for continuity. Cut off old splice and reconnect.
	Defective motor, limit switch or capacitor.	Replace motor assembly. NOTE: Motor is a sealed assembly.
	Capacitor burned out.	Replace motor assembly.
Screen does not stop at correct position.	Limit switch out of adjustment.	See Screen Adjustment section.
Noise. NOTE: Screen will operate with a low pitched hum.	Squeaking, rubber end plug rubbing on motor.	Center roller in case.
	Grinding. Foreign object in screen rubbing on roller or fabric.	Remove.
	Gear noise.	Replace motor assembly.
Coasting.	Defective brake.	Replace motor assembly.
Fabric hangs crooked.	Screen not installed properly.	Check for level and plumb.
	Fabric has backed up inside case.	Adjust "down" limit switch slowly until roller is exposed and wrinkle comes out, then readjust for proper drop.
	Fabric is damaged.	Replace fabric.

CONDITIONS FOR TRANSPORTATION AND STORAGE

- Temperature: Between 40 - 100°F (5 - 40°C)
- Relative Humidity: 30% to 70%, non-condensing
- Always keep the projection screen horizontal during transport and storage
- Make sure the entire package is supported when stored
- Do not stack more than six projection screens on top of each other
- Make sure the heaviest package is placed at the bottom of the stack

Screen surface should be allowed to air out once every two months, or otherwise used on a regular basis, if the temperature is above 72°F (22°C) and at least once every month if the temperature goes above 85°F (30°C).

LIMITED FIVE-YEAR WARRANTY ON DA-LITE PRESENTATION PRODUCTS

Legrand AV Inc. warrants certain Da-Lite branded products to the original purchaser only, to be free from defects in materials and workmanship for a period of five (5) years from the date of purchase by the original purchaser; provided they are properly operated according to Da-Lite's instructions and are not damaged due to improper handling or treatment after shipment from the factory.

Limited five-year warranty applies to the following products:

Myriad™ Reveal Series, Myriad™ Conceal Series, Wireline Advantage®, Tensioned Advantage Series, Advantage Series, Tensioned Professional, Professional, Tensioned Contour®, Contour, Tensioned Cosmopolitan® Series, Cosmopolitan Series, Tensioned Designer Contour, Designer Contour, Studio, Arena, Parallax®, Parallax Thin, FullVision, UTB Contour, Cinema Contour, Da-Snap, IDEA™ Screen, IDEA Panoramic, Fast-Fold® Deluxe, Fast-Fold Deluxe Drapery Kits, Da-Plex, and Rear Projection Mirror System.

This warranty does not apply to equipment showing evidence of misuse, abuse or accidental damage, or which has been tampered with or repaired by a person other than authorized Da-Lite personnel.

Da-Lite's sole obligation under this warranty shall be to repair or to replace (at Da-Lite's option) the defective part of the merchandise. Returns for service should be made to your Da-Lite dealer. If it is necessary for the dealer to return the screen or part to Da-Lite, transportation expenses to and from Da-Lite are payable by the purchaser and Da-Lite is not responsible for damage in shipment. To protect yourself against damage or loss in transit, insure the product and prepay all transportation expenses.

TO THE MAXIMUM EXTENT PERMITTED BY APPLICABLE LAW, THIS WARRANTY IS IN LIEU OF ALL OTHER WARRANTIES, EXPRESS OR IMPLIED, INCLUDING WARRANTIES AS TO FITNESS FOR USE AND MERCHANTABILITY. Any implied warranties of fitness for use, or merchantability, that may be mandated by statute or rule of law are limited to the five (5) year warranty period. This warranty gives you specific legal rights, and you may also have other rights, which vary from state-to-state. **TO THE MAXIMUM EXTENT PERMITTED BY APPLICABLE LAW, NO LIABILITY IS ASSUMED FOR EXPENSES OR DAMAGES RESULTING FROM INTERRUPTION IN OPERATION OF EQUIPMENT, OR FOR INCIDENTAL, DIRECT, OR CONSEQUENTIAL DAMAGES OF ANY NATURE.**

In the event that there is a defect in materials or workmanship of a Da-Lite product, you may contact Customer Care at 3100 North Detroit Street, Warsaw, IN 46582, (866) 977-3901.

IMPORTANT: THIS WARRANTY SHALL NOT BE VALID AND DA-LITE BRANDED PRODUCTS SHALL NOT BE BOUND BY THIS WARRANTY IF THE PRODUCT IS NOT OPERATED IN ACCORDANCE WITH THE DA-LITE WRITTEN INSTRUCTIONS.

Keep your sales receipt to prove the date of purchase and your original ownership.

LEGRAND | AV COMMERCIAL BRANDS

C2G | Chief | Da-Lite | Luxul | Middle Atlantic | Vaddio | Wiremold

FOR YOUR IMAGE | legrandav.com

USA 866.977.3901 av.da-lite.support@legrand.com CANADA 877.345.4329 av.da-lite.support@legrand.com

EMEA +31 495 580 840 av.emea.sales@legrand.com APAC +852 2145 4099 av.asia.sales@legrand.com

©2024 Legrand AV Inc. 240375 Rev A 05/24 Da-Lite is a registered trademark of Legrand AV Inc. All other brand names or marks are used for identification purposes and are trademarks of their respective owners. All patents are protected under existing designations. Other patents pending.